

LINEAR SERIES

Sleek Illumination, Seamless Design

Experience the perfect fusion of elegance and functionality with our Linear Type Downlights. Designed for modern interiors, these pendant, recessed, and surface-mounted luminaires bring a touch of sophistication to any space. Whether enhancing counter tops, illuminating retail aisles, or brightening common areas, these fixtures deliver outstanding performance and style.

Crafted with precision, the sleek and stylish linear design mimics the beauty of natural light streaming through the ceiling, creating an inviting and harmonious ambiance. Perfectly suited for retail application, these lights seamlessly blend into the architecture, making them a versatile solution for a variety of lighting needs.

Transform your space with innovative design and superior lighting quality-our Linear Type Downlights redefine the art of illumination.

Color Reproduction

In order to accurately restore an object's original colors, Gardler Lighting offers a variety of CCT options, including 3000K, 3500K, 4000K, and 5700K. These options enhance the saturation of objects under the lights, bringing them closer to their original colors.



THE ART OF SLEEK ILLUMINATION

Stylish Designs for Modern
Spaces with Natural Light
Aesthetics



COMPACT LINEAR LIGHTING SYSTEMS



KEY FEATURES

- Aesthetically designed linear profile luminaire for recess, surface, and pendant mounting applications.
- Constructed with high-grade extruded aluminum housing for durability and sleek appearance.
- Features high-efficiency passive cooling technology for excellent thermal management.
- Equipped with a high-efficiency PC symmetric diffuser for uniform light distribution and enhanced aesthetics.
- Utilizes high-efficacy SMD LED technology on FR-4 PCB for superior lighting quality.
- Includes inbuilt high-efficiency electronic driver technology for reliable and energy-efficient performance.
- Available in powder-coated finishes white, black, and grey.

LINEAR SERIES

Elegant Lighting Solutions for Modern Spaces

Our Linear Type Downlights seamlessly blend elegance and functionality to elevate the aesthetics of modern interiors. These versatile luminaires are suitable for pendant, recessed, and surface mounting, making them perfect for spaces such as countertops, retail aisles, and common areas. Featuring a sleek linear design that mimics natural light, our downlights effortlessly create a harmonious ambiance that complements any architectural style. Whether used in commercial or residential settings, these fixtures offer innovative design and exceptional lighting quality, setting a new standard in the world of illumination.

Pendant | Recess | Surface
DOWN LIGHT

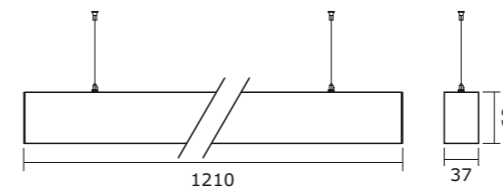
GARDLER®

All dimensions are in mm

LUCINA-C



IS 10322 (PART 5/SEC 1) :2012
R-71007862



TECHNICAL SPECIFICATIONS

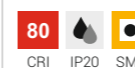
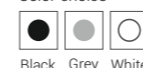
Light Source	: MPL-Mid Power LED
Power Consumption	: 15W, 18W, 20W, 22W, 25W
80 CRI	: 3000 K 3500 K 4000 K 5700 K 6500 K
Driver	: Constant Current AC-DC
Input Voltage Range	: 220-240 V
Output Voltage	: 33V-37V DC
Output Current	: 400 mA, 450 mA, 500 mA, 550 mA, 650 mA
Power Factor	: >0.95
THD	: <10%

LED PARAMETERS

15W	3000 K, 3500 K, 4000 K, 5000 K, 6500 K	1515 lm, 1545 lm, 1575 lm, 1605 lm, 1620 lm
18W	3000 K, 3500 K, 4000 K, 5000 K, 6500 K	1800 lm, 1836 lm, 1872 lm, 1908 lm, 1926 lm
20W	3000 K, 3500 K, 4000 K, 5000 K, 6500 K	1980 lm, 2000 lm, 2060 lm, 2100 lm, 2120 lm
22W	3000 K, 3500 K, 4000 K, 5000 K, 6500 K	2156 lm, 2178 lm, 2244 lm, 2288 lm, 2310 lm
25W	3000 K, 3500 K, 4000 K, 5000 K, 6500 K	2425 lm, 2450 lm, 2525 lm, 2575 lm, 2600 lm

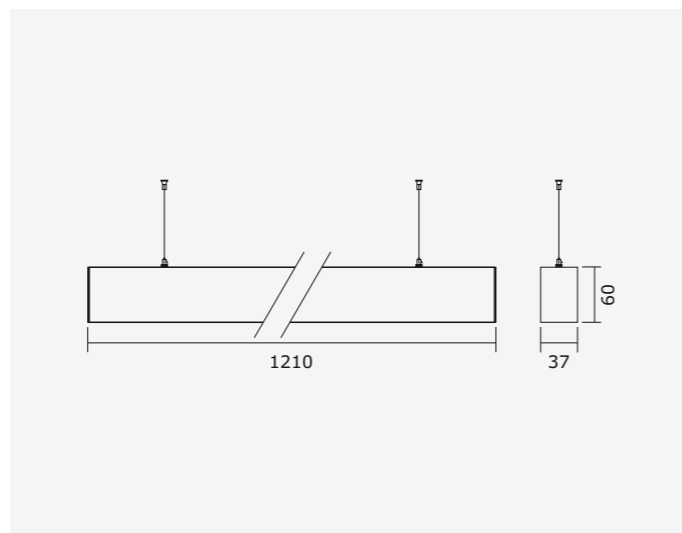
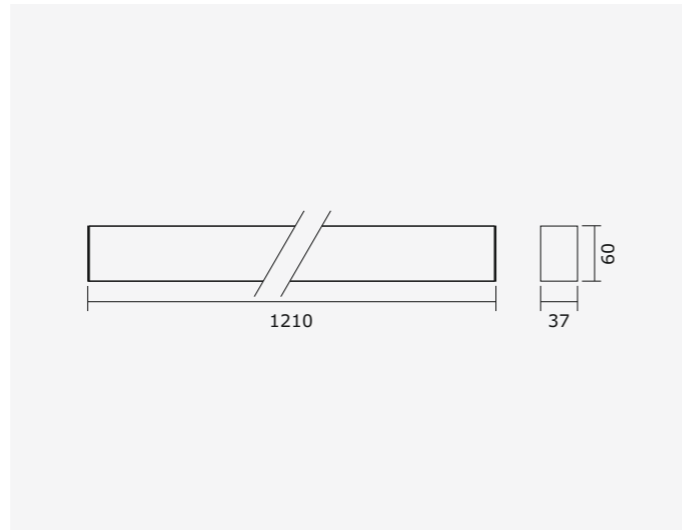
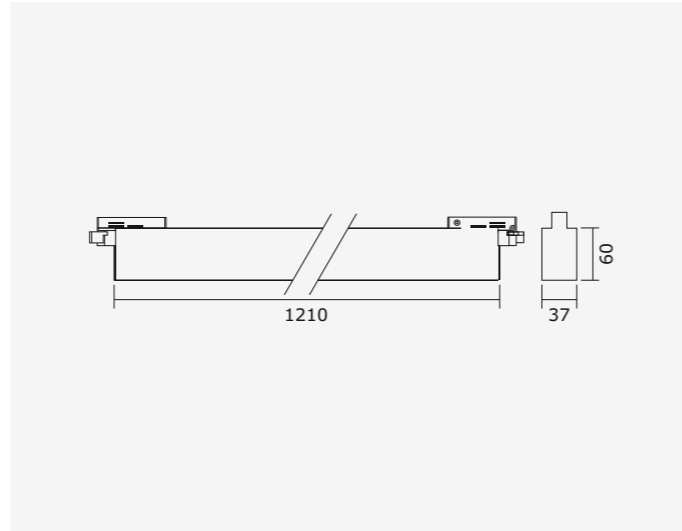


Color choice



Application area for retail space:
Ambient | Entrance | Cash Counter | Hyper/Supermarket

All dimensions are in mm



All dimensions are in mm

KEY FEATURES

- Elegantly crafted linear profile luminaire for pendant, surface, and recess downlight applications.
- High-grade extruded aluminum housing for durability and sleek aesthetics.
- High efficiency passive cooling technology ensures excellent thermal management.
- Aesthetically designed high-efficiency PC symmetric diffuser for enhanced lighting experience.
- Utilizes high efficacy SMD (mid power) LED technology on FR-4 PCB for superior lighting quality.
- Features an inbuilt high-efficiency electronic driver for seamless operation.
- Pendant installation includes wire suspender and ceiling coupler for flexibility.
- Surface installation facilitated with clix fix SS clamp for easy setup.
- Easy installation with a heavy-gauge clamp adjustment locking system, ideal for false ceilings
- Available in powder-coated shades white, black, and grey

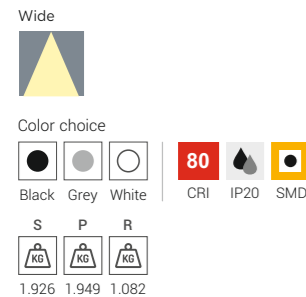
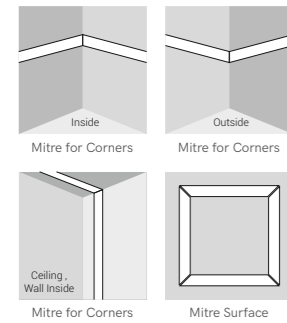
TECHNICAL SPECIFICATIONS

Light Source	: MPL-Mid Power LED
Power Consumption	: 24W, 25W, 27W, 28W, 32W, 36W, 38W, 40W
80 CRI	: 3000 K 3500 K 4000 K 5700 K 6500 K
Driver	: Constant Current AC-DC
Input Voltage Range	: 220-240 V
Output Voltage	: 33V-37V DC
Output Current	: 600 mA, 650 mA, 700 mA, 750 mA, 850 mA, 900 mA, 950 mA, 1000 mA
Power Factor	: >0.95
THD	: <10%

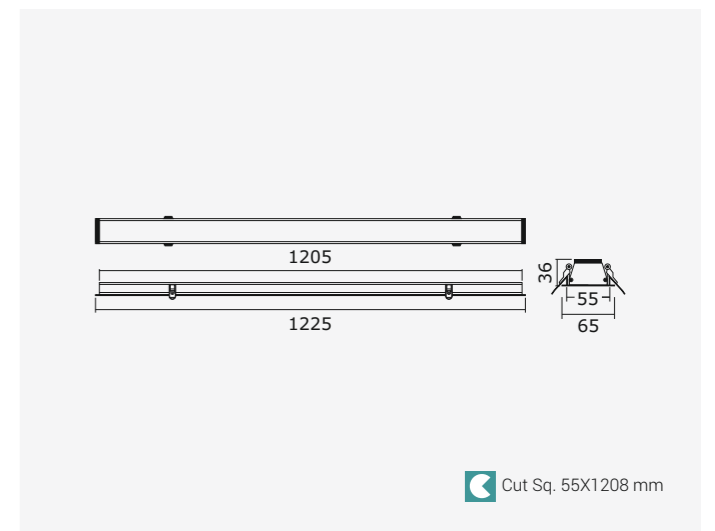
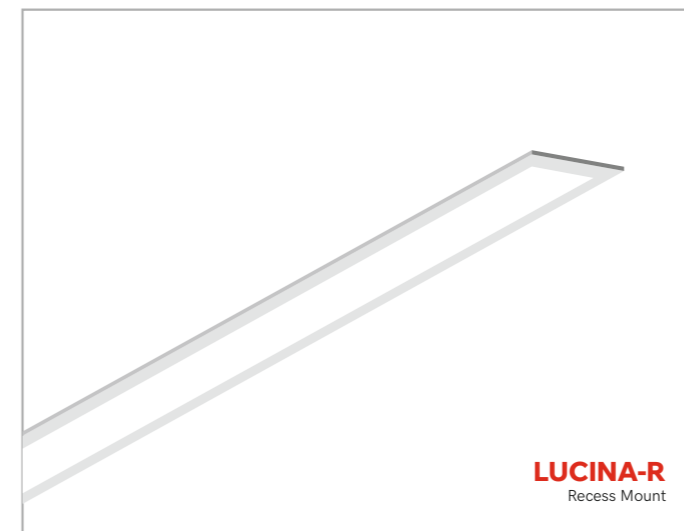
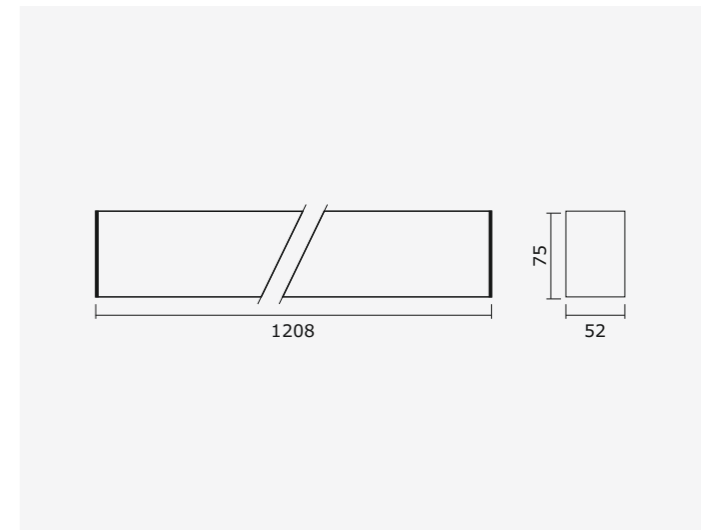
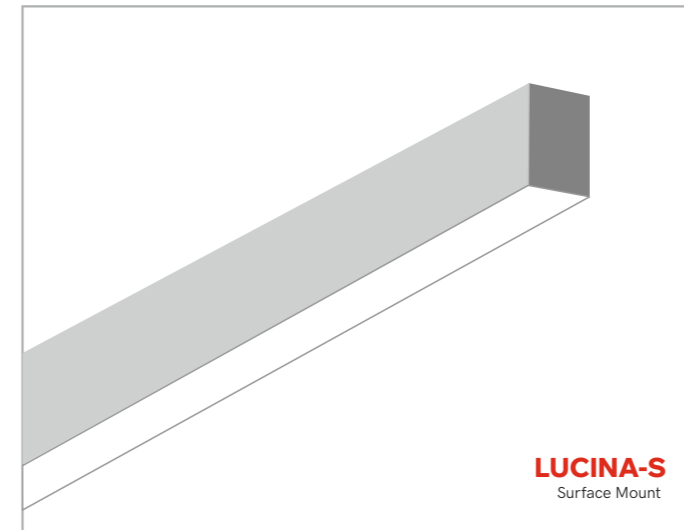
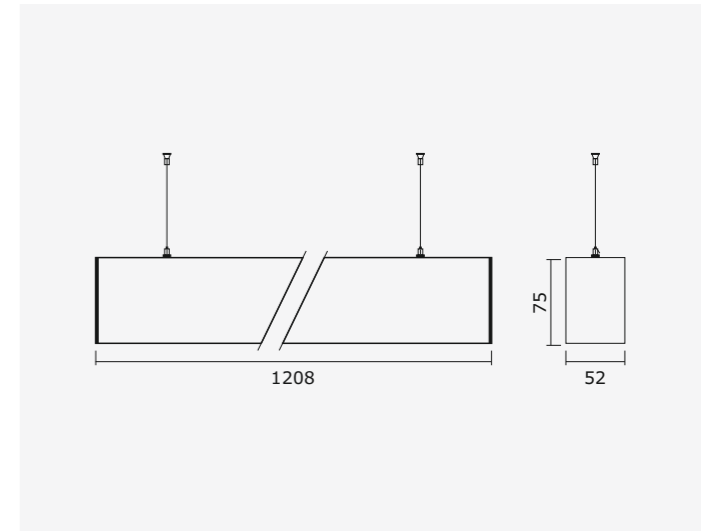
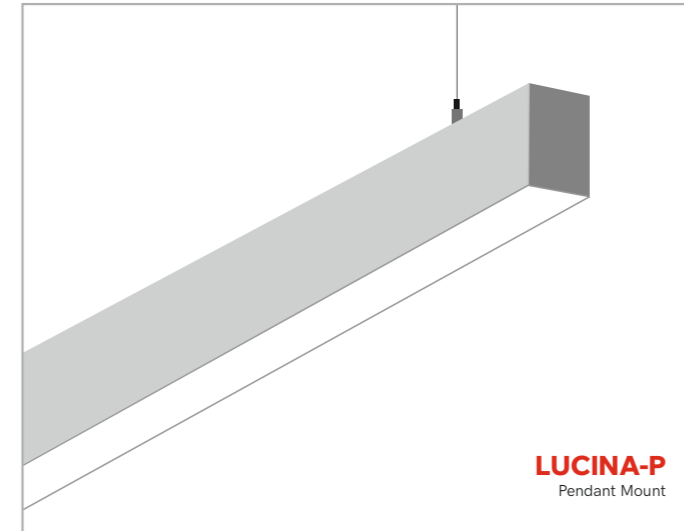
LED PARAMETERS

24W	3000 K, 3500 K, 4000 K, 5700 K, 6500 K	2268 lm, 2310 lm, 2352 lm, 2394 lm, 2436 lm
25W	3000 K, 3500 K, 4000 K, 5700 K, 6500 K	2436 lm, 2478 lm, 2520 lm, 2562 lm, 2604 lm
27W	3000 K, 3500 K, 4000 K, 5700 K, 6500 K	2688 lm, 2730 lm, 2772 lm, 2814 lm, 2856 lm
28W	3000 K, 3500 K, 4000 K, 5700 K, 6500 K	2772 lm, 2856 lm, 2940 lm, 3024 lm, 3108 lm
32W	3000 K, 3500 K, 4000 K, 5700 K, 6500 K	3092 lm, 3134 lm, 3206 lm, 3360 lm, 3390 lm
36W	3000 K, 3500 K, 4000 K, 5700 K, 6500 K	3360 lm, 3402 lm, 3444 lm, 3528 lm, 3612 lm
38W	3000 K, 3500 K, 4000 K, 5700 K, 6500 K	3528 lm, 3570 lm, 3612 lm, 3696 lm, 3780 lm
40W	3000 K, 3500 K, 4000 K, 5700 K, 6500 K	3612 lm, 3696 lm, 3780 lm, 3864 lm, 3948 lm

Application area for retail space:
Ambient | Entrance | Cash Counter | Hyper/Supermarket



All dimensions are in mm



LUCINA-P
Pendant Mount

LUCINA-S
Surface Mount

LUCINA-R
Recess Mount

Cut Sq. 55X1208 mm