

STEFFI-C-BT

GARDLER®



IS 10322(PART 5/SEC 2):2012
R-71007862



TRUNKING PENDANT MOUNT-DOWN LIGHT

Wattage: 30W | 32W | 40W

TECHNICAL SPECIFICATIONS

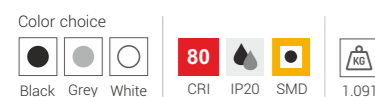
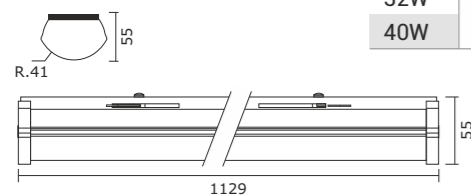
Light source : MPL-Mid Power Led
 Power Consumption : 30W, 32W, 40W
 90 CRI : 3000 K | 3500 K | 4000 K
 80 CRI : 5700 K | 6500 K
 Driver : Constant Current AC-DC
 Input Voltage Range : 220-240 V
 Output Voltage : 30V-38V DC
 Output Current : 750 mA, 800 mA, 1000 mA
 Power Factor : >0.98
 THD : <10%

PRODUCT HIGHLIGHTS

- Aesthetically designed trunking mounted luminaire
- Luminaire housing made from high-grade extruded aluminum
- High efficiency passive cooling technology for good thermal management
- Aesthetically designed micro prismatic wing shape high efficiency pc symmetric light distribution diffuser
- High efficacy SMD (Mid Powder) LED technology used in FR-4 PCB/MCPCB based on the wattage selection
- Isolated-high efficiency electronic driver mounted on the luminaire
- Complete luminaire is enclosed with abs-end cap
- Sliding locking system-to suite trunking mounting
- Shade: powder coated-black, white

LED PARAMETERS

WATTS	CRI	COLOR TEMP.	LUMEN
30W	80	3000 K, 3500 K, 4000 K, 5700 K, 6500 K	3298 lm, 3321 lm, 3457 lm, 3521 lm, 3601 lm
32W		3000 K, 3500 K, 4000 K, 5700 K, 6500 K	3456 lm, 3563 lm, 3686 lm, 3802 lm, 3849 lm
40W		3000 K, 3500 K, 4000 K, 5700 K, 6500 K	4267 lm, 4389 lm, 4454 lm, 4564 lm, 4678 lm



Application area for retail space:
Retail Space | Hyper / Supermarket

RF-PCGI-TK 5545

GARDLER®



SUSPENDED TRUNKING

Technical Specification

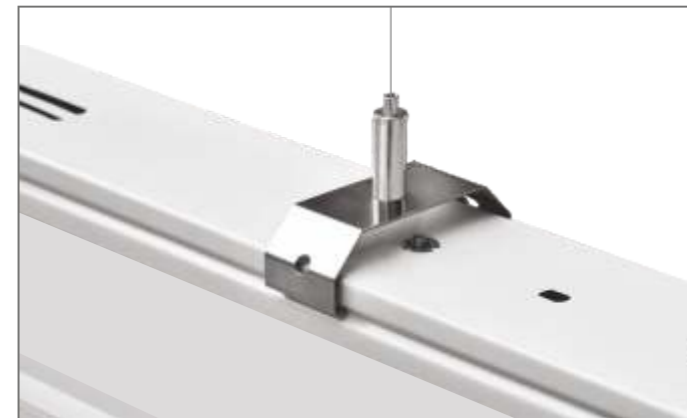
Trunking made out of per-coated galvanised Iron... (GI sheet - pure zinc >99% continuously hot dip coated steel) and per- painted in process and roll formed.

Feature

Corrosion Resistance / Precisely Designed
Unmatched Quality.

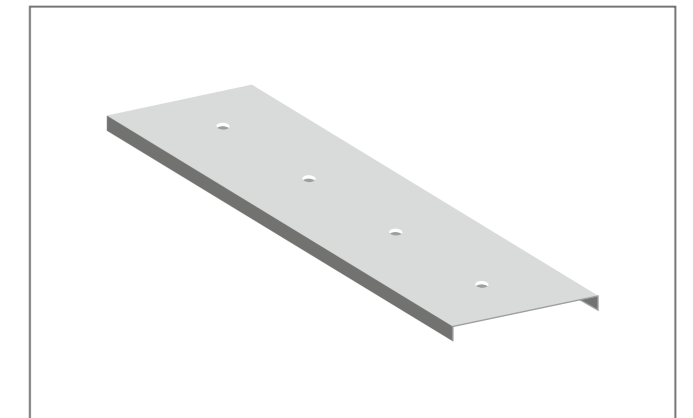
Wiring Specification

The trunking is wired with 2 single phase circuit (1.5 sqmm single stand wires phase and neutral for peak and non - peak selection) and 1 emergency circuit (0.75 sqmm single stand wires) for Inverter / UPS for emergency Lighting. With 1.5 sq mm Loop-in loop-out electrical connector for internal continuous wiring and tapping for luminaire connection. Earth wire provided total 7 wires in trunking.



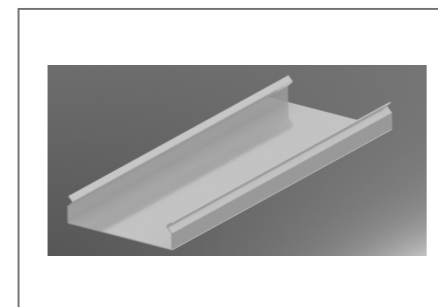
SUSPENSION SYSTEM

Cord suspension using clix mechanism, the cord suspension can be fitted to trunking without the use of any tool by exerting slight pressure and it can also be moved as required, pendant height adjustments is also entirely tool-free.



CONNECTING JOINTS

Fabricated out of GI sheet steel with holes for connecting trunking one to one with screws to make continuous row system.



BOTTOM COVER

Made out of extruded PVC materials to be used as in-fill between the two luminaire and also at end of the trunking.



END CAP

Trunking end cap - made out of ABS plastic



SUSPENSION

Trunking suspension kit with ss material